

(No Model.)

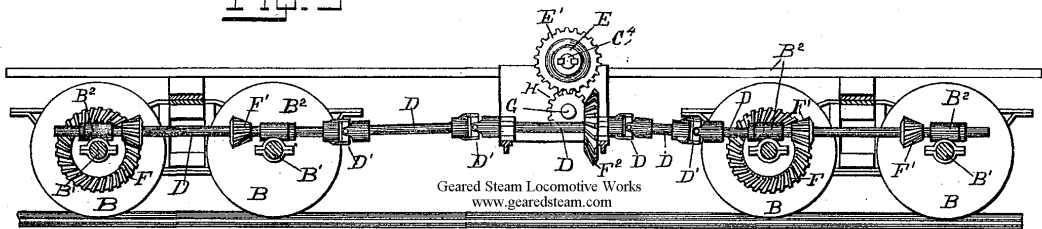
R. S. BATTLES,
LOCOMOTIVE.

3 Sheets—Sheet 2.

No. 455,154.

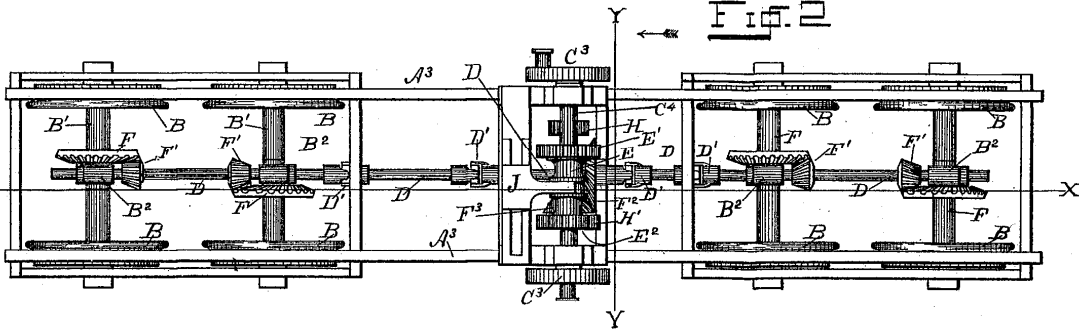
Patented June 30, 1891.

FIG. 3



Geared Steam Locomotive Works
www.gearedsteam.com

FIG. 2



Inventor

R. S. Battles
by W. S. Brewster
att'y

Witnesses

W. S. Brewster
Chas. S. Brewster