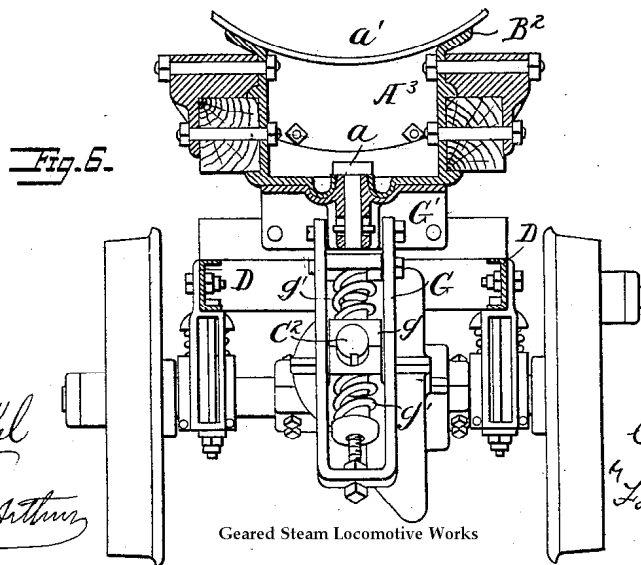
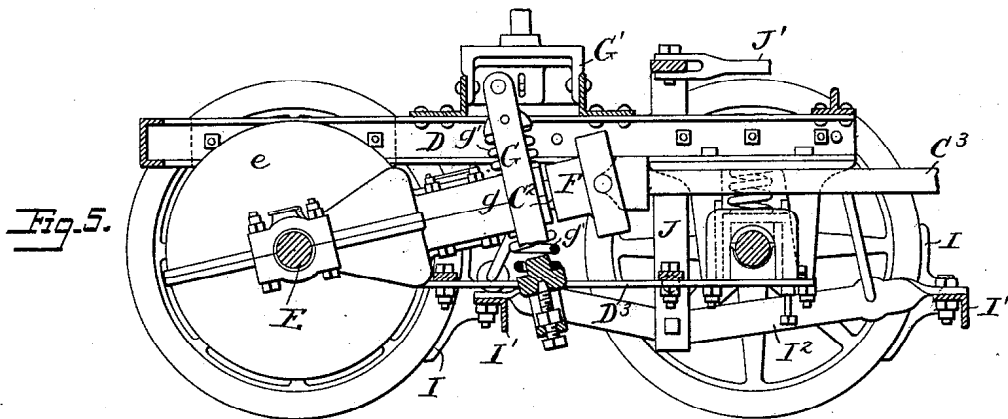
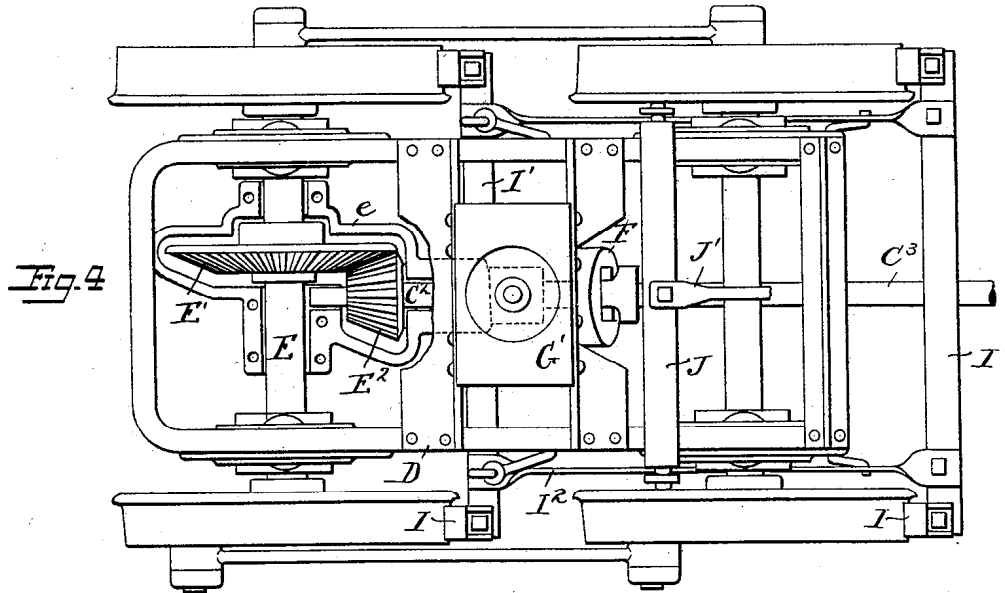


C. L. HEISLER.
LOCOMOTIVE.

No. 482,828.

Patented Sept. 20, 1892.



Witnesses
J. G. Hinkel
R. S. McArthur

Inventor
C. L. Heisler
Foster & Freeman
 Attorneys.

Geared Steam Locomotive Works