

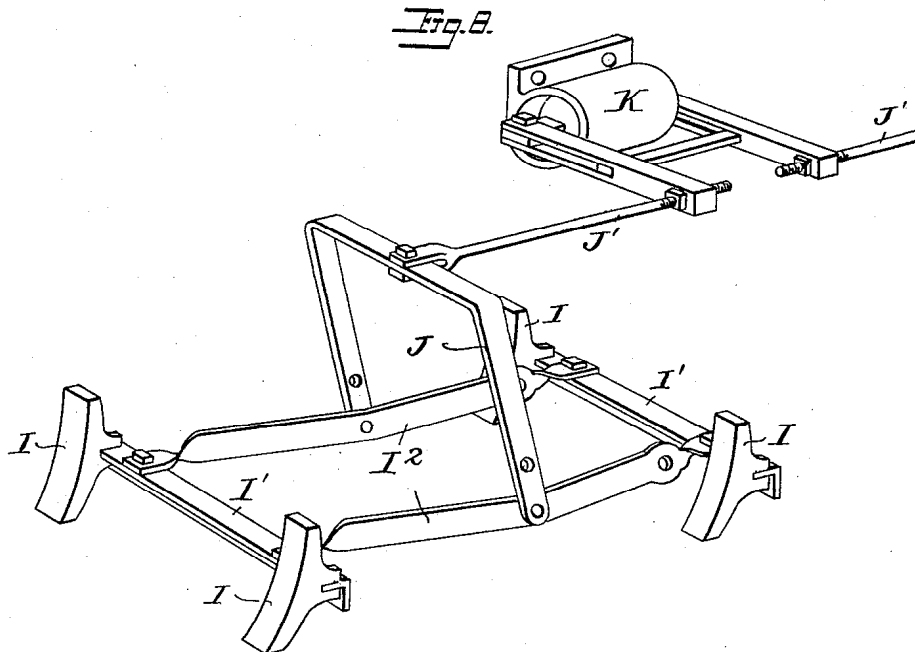
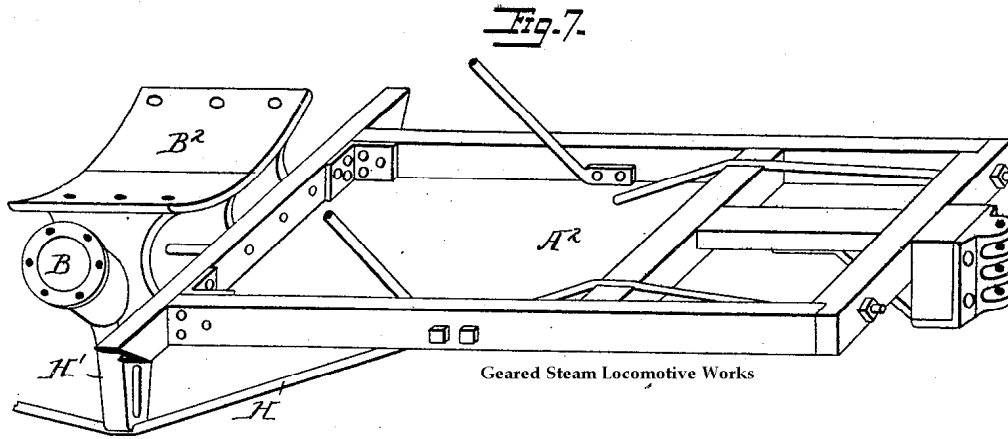
(No Model.)

5 Sheets—Sheet 5.

C. L. HEISLER.
LOCOMOTIVE.

No. 482,828.

Patented Sept. 20, 1892.



Witnesses
J. G. Hinkel
H. S. McArthur

Inventor
C. L. Heisler
 by *Foster Freeman*
 Attorneys