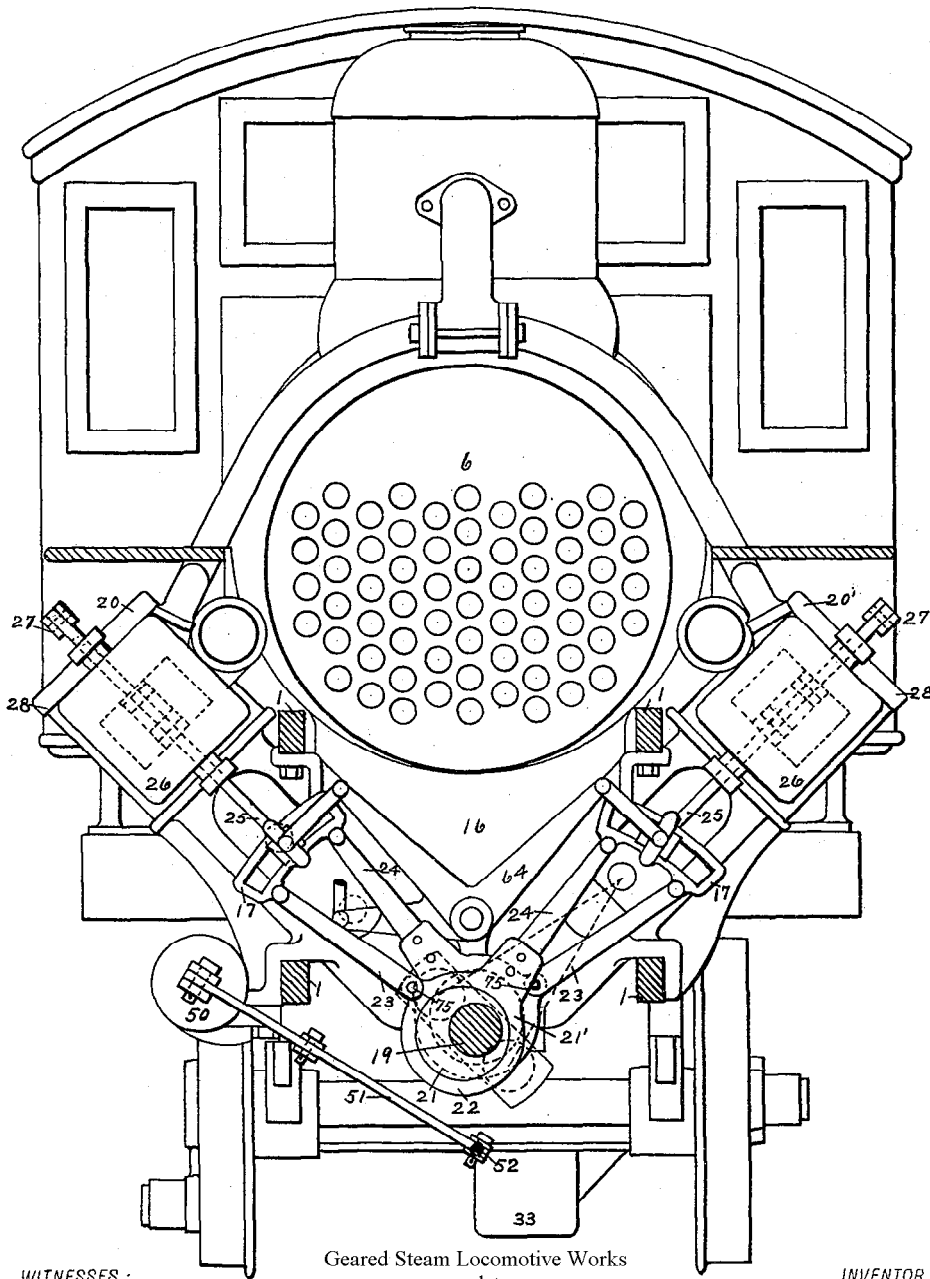


C. L. HEISLER.  
LOCOMOTIVE.

No. 585,031.

Patented June 22, 1897.

Fig. 4.



WITNESSES:  
*Wm. Heisler.*  
*L. Adams,*

Geared Steam Locomotive Works  
[www.gearedsteam.com](http://www.gearedsteam.com)

INVENTOR  
*Chas. L. Heisler,*