

C. L. HEISLER.
LOCOMOTIVE.

No. 585,031.

Patented June 22, 1897.

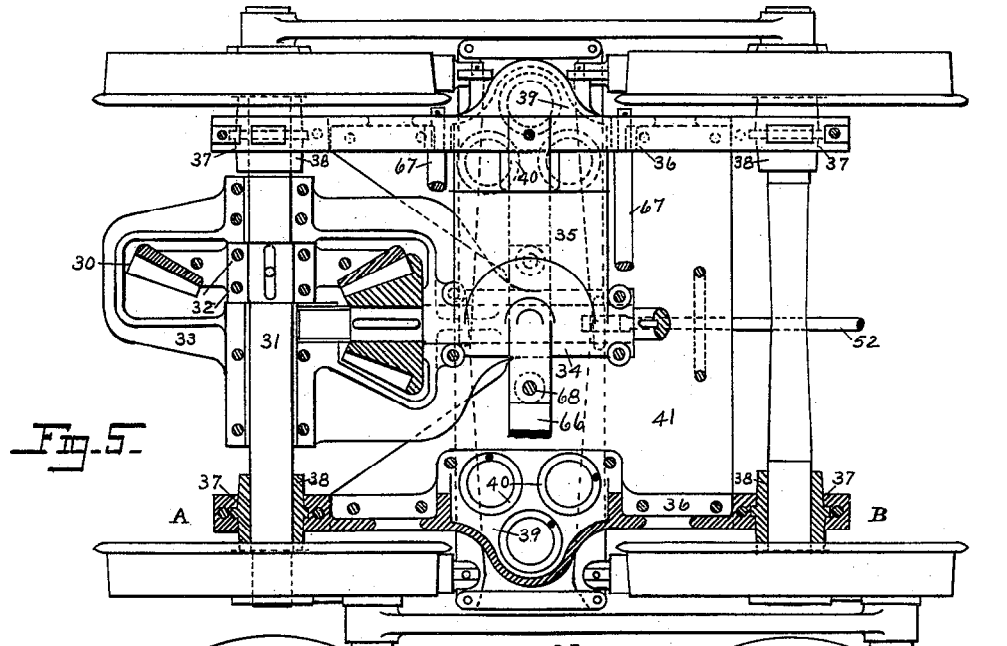


Fig. 5.

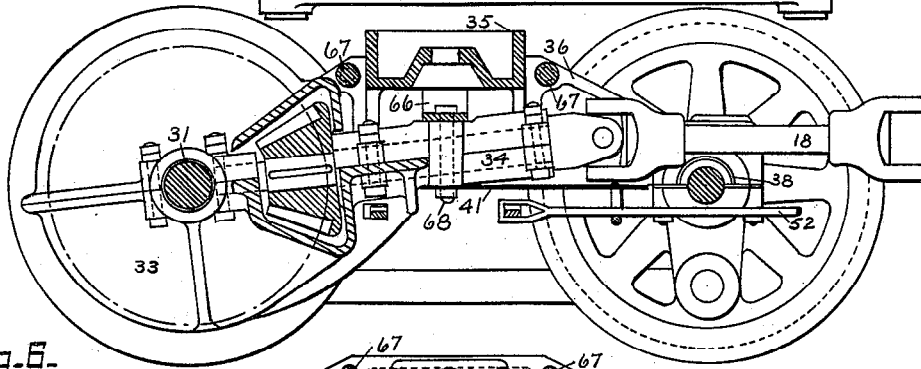


Fig. 6.

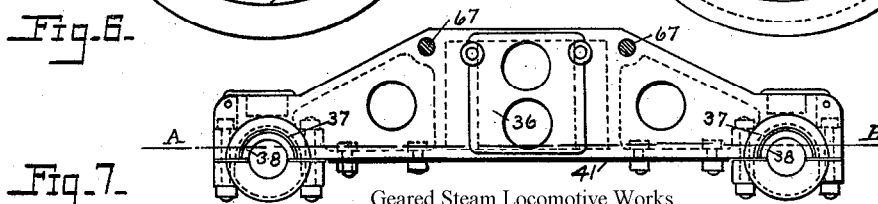


Fig. 7.

Geared Steam Locomotive Works
www.gearedsteam.com

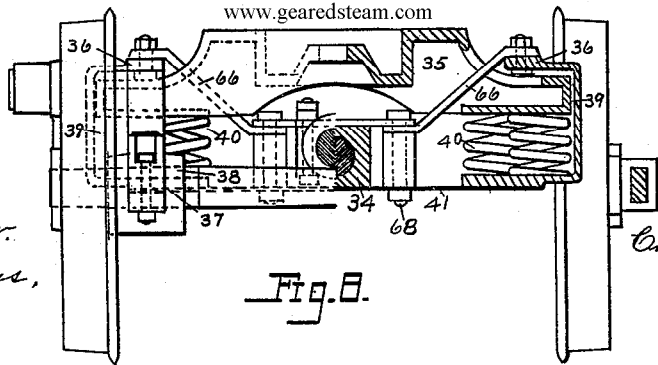


Fig. 8.

WITNESSES:
Chas. Heisler.
L. Adams,

INVENTOR
Chas. L. Heisler.