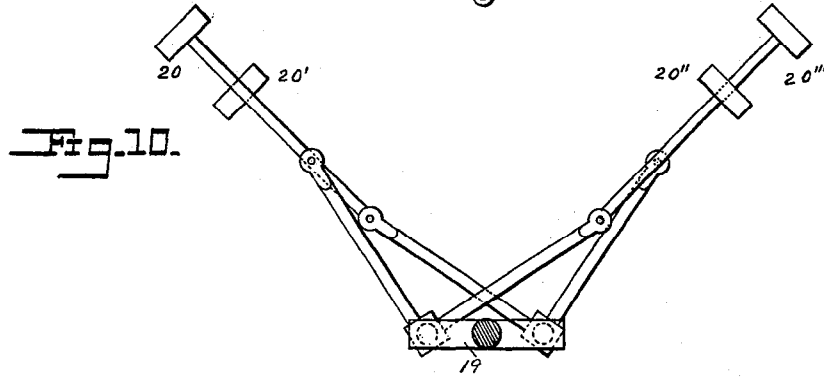
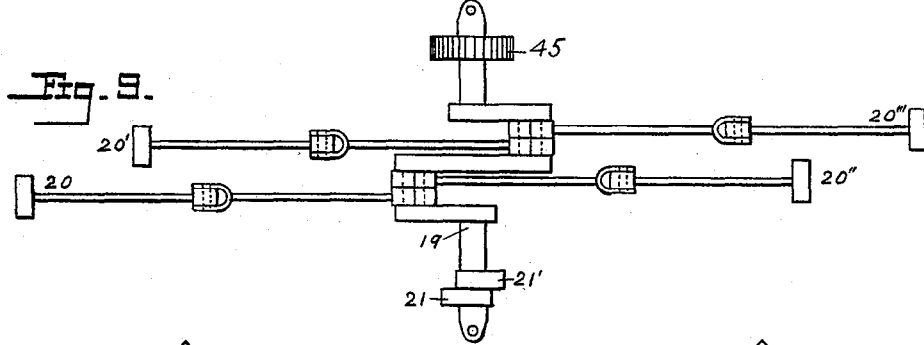


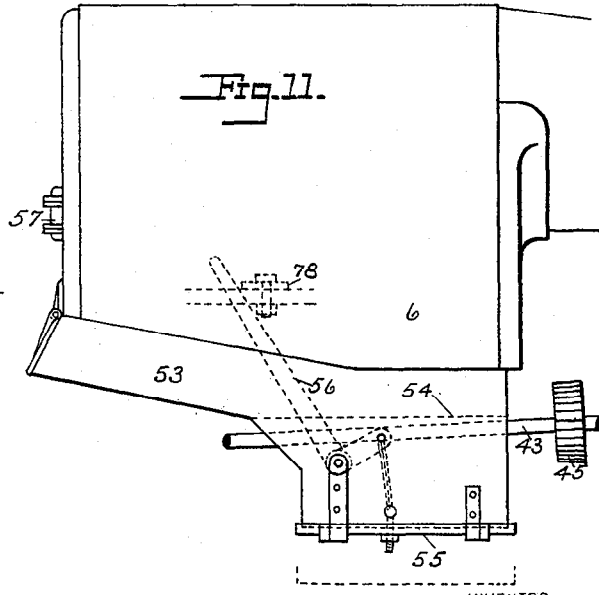
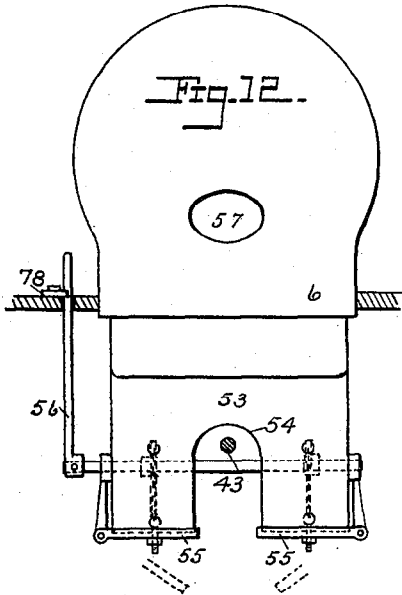
C. L. HEISLER.
LOCOMOTIVE.

No. 585,031.

Patented June 22, 1897.



Geared Steam Locomotive Works ~ www.gearedsteam.com



WITNESSES:

Chas. Heisler.
L. Adams.

INVENTOR

Chas. L. Heisler.