

C. L. HEISLER.
LOCOMOTIVE.

No. 585,031.

Patented June 22, 1897.

Fig. 13.

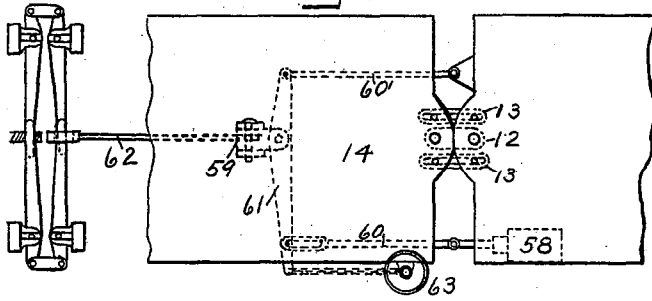


Fig. 14.

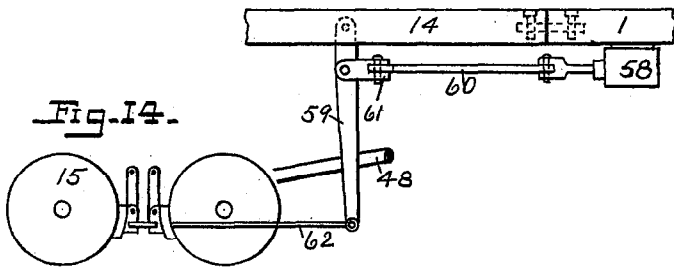
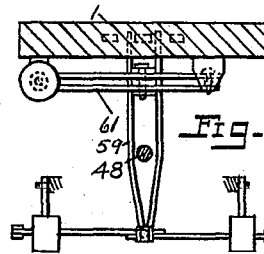


Fig. 15.



Geared Steam Locomotive Works
www.gearedsteam.com

Fig. 16.

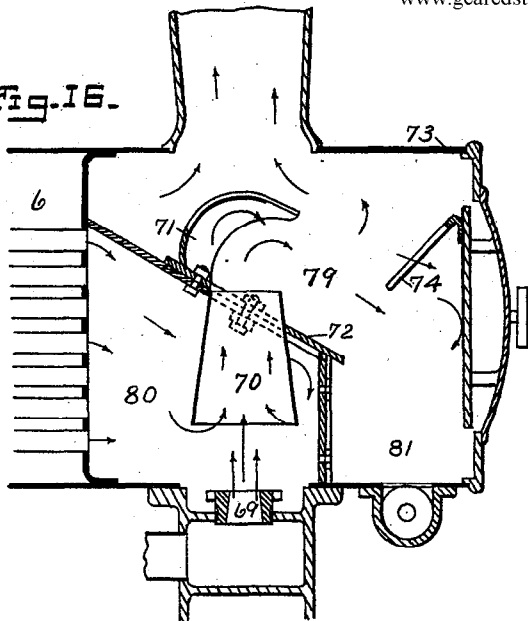
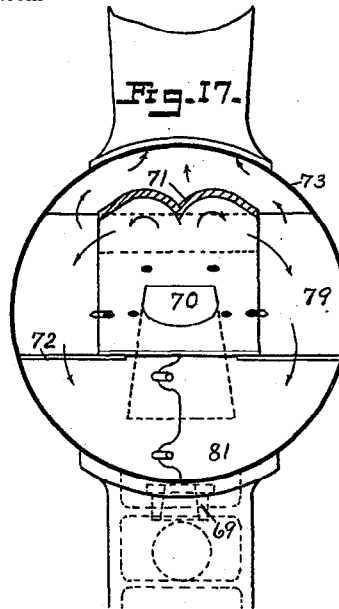


Fig. 17.



WITNESSES:
Chas. Heisler,
L. Adams,

INVENTOR
Chas. L. Heisler,