

(No Model.)

3 Sheets—Sheet 3.

J. DOLBEER.

LOGGING LOCOMOTIVE.

No. 290,756.

Patented Dec. 25, 1883.

FIG. 3.

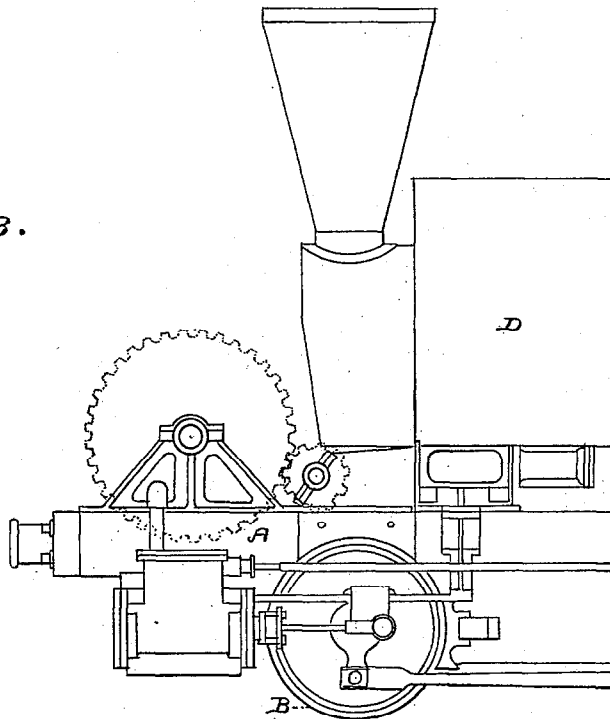
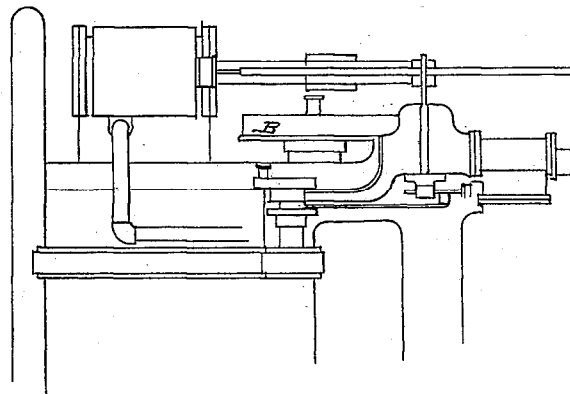


FIG. 4

Geared Steam Locomotive Works
www.gearedsteam.com



Witnesses,
Geo. C. Strong,
J. H. House

Inventor,
John Dolbeer
By Dewey & Co.
Attorneys