

No. 882,618.

G. A. BOTHWELL,
LOCOMOTIVE.
PATENTED MAR. 24, 1908.

APPLICATION FILED JUNE 14, 1907.

3 SHEETS—SHEET 1.

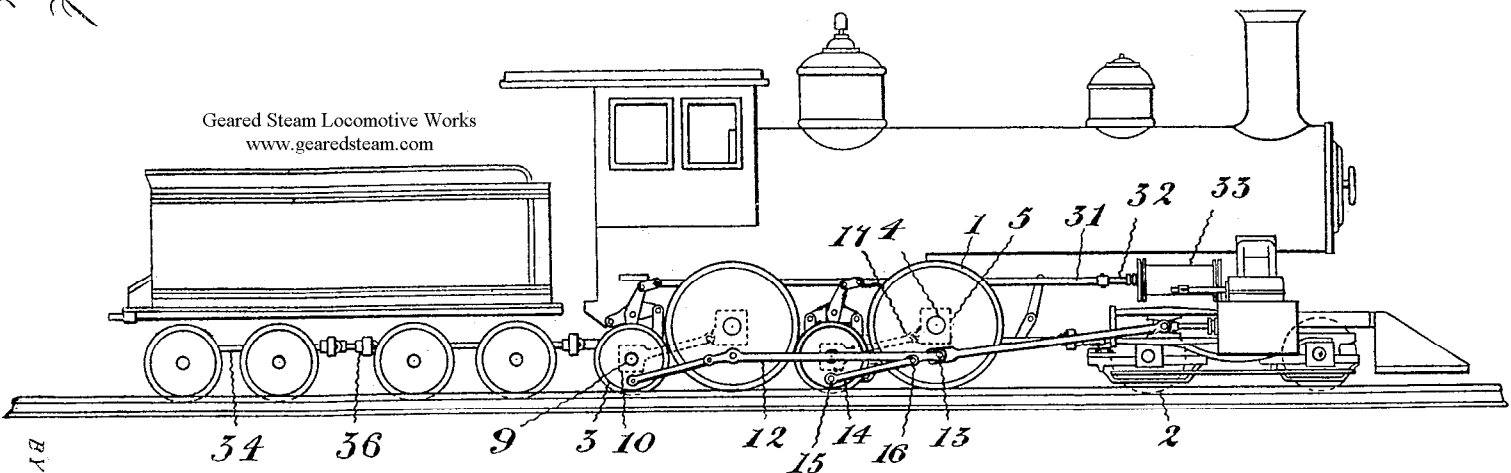


Fig. 1.

Geared Steam Locomotive Works
www.gearedsteam.com

WITNESSES:
Wm. B. Franklin
Walter Logie

INVENTOR,
George A. Bothwell
BY *Edw. & May, Inc.*
ATTORNEYS