

G. A. BOTHWELL.
LOCOMOTIVE.

APPLICATION FILED JUNE 14, 1907.

3 SHEETS—SHEET 2.

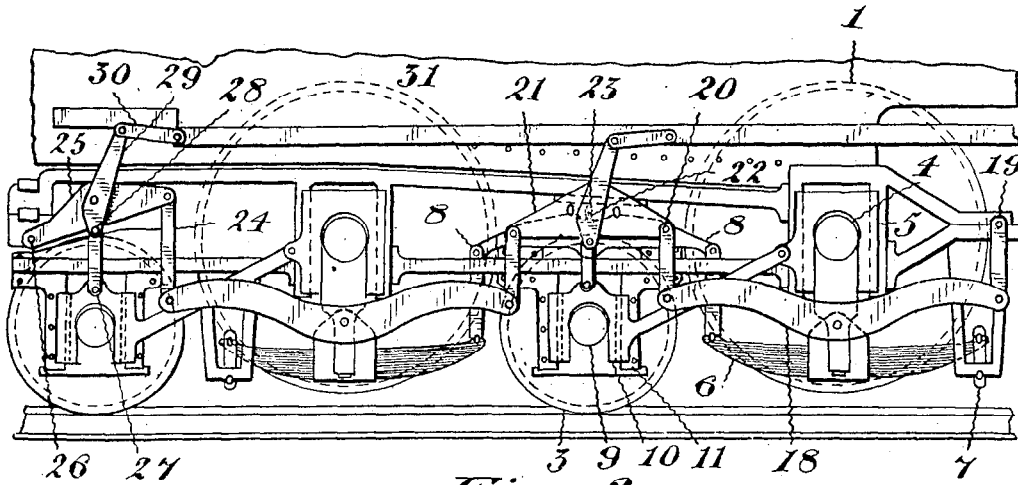
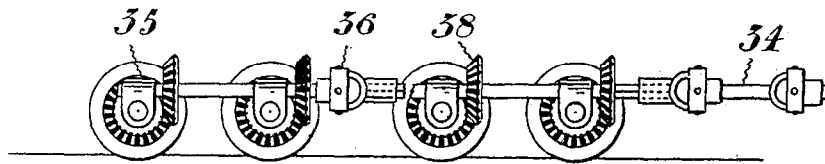


Fig. 2.



Geared Steam Locomotive Works ~ www.gearedsteam.com

Fig. 4

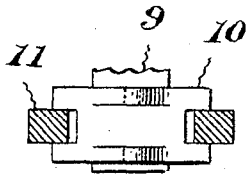


Fig. 6.

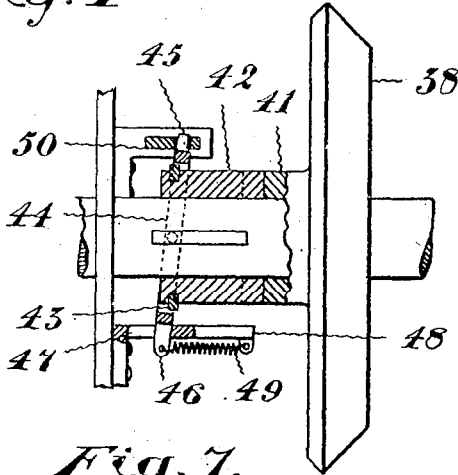


Fig. 7.

WITNESSES:
W. M. Sandick
Belle Logie

INVENTOR.
George A. Bothwell
BY *Ridart & Maybee*
ATTORNEYS